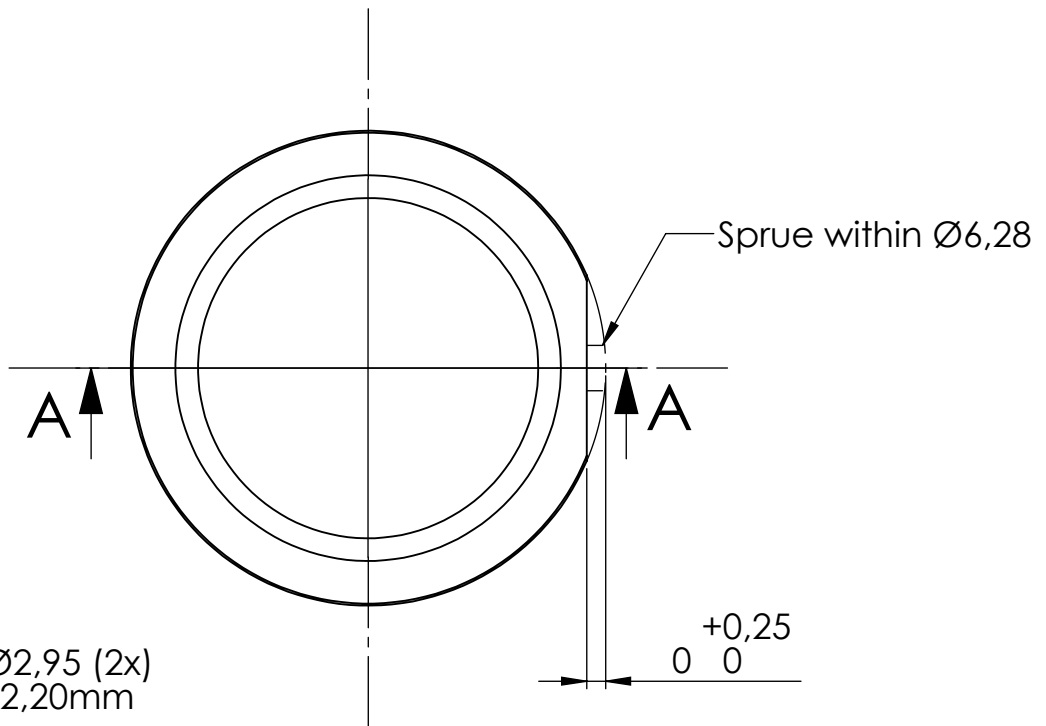
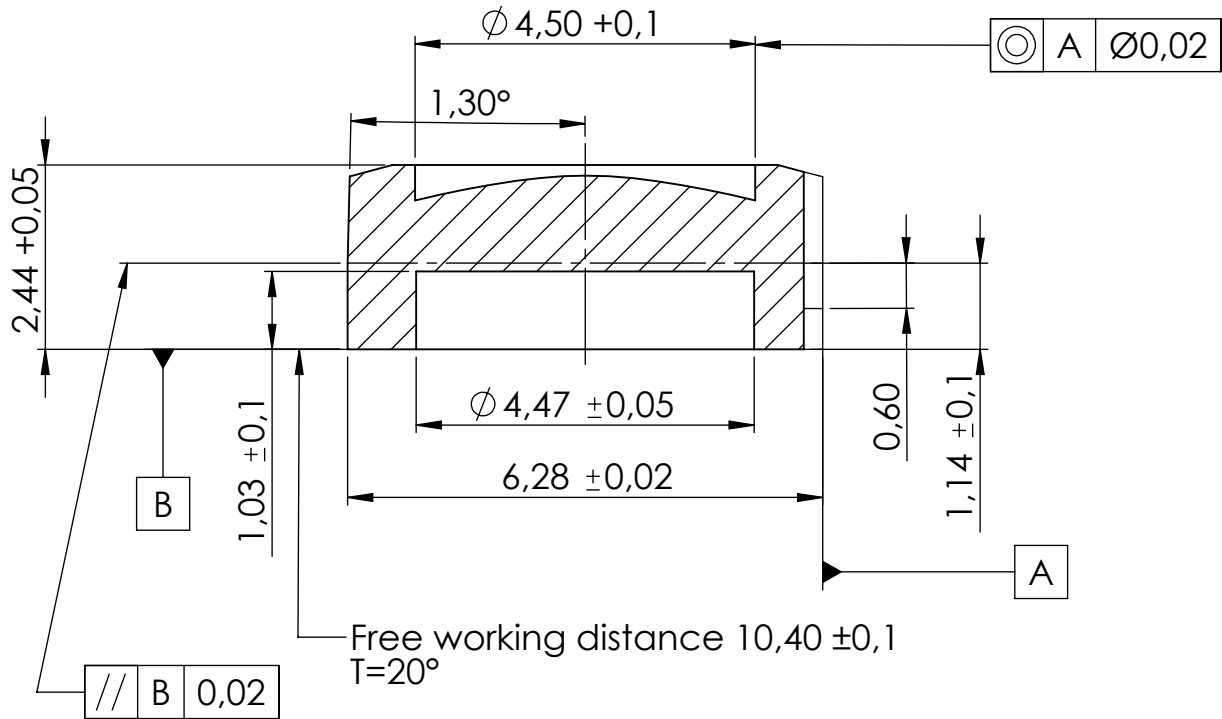
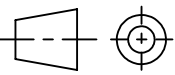



SECTION A-A



Testzone : $\varnothing 2,95$ (2x)
Focal length : 12,20mm

A		one to one copy of former paperdrawing		18.10.16	CKr	
Rev.	Description			Date	By	
		Unless otherwise specified: - dimensions are in millimeters - all Dimensions $\pm 0,1$ mm		© Viaoptic GmbH. All rights reserved. Reproduction prohibited without permission from the copyright owner.		
		Titel Lens CSX 122			VIAOPTIC GMBH Am Leitz Park 1 // 35578 Wetzlar 06441/9011-0	
Date		Name		Material		
18.10.2016		Krznicar		PC		
Approval		20.10.2016		Söhngen		
Weight		Part Number		Scale		
1g		099-099-001-005		10:1		
Sheet		01		Size		
01		A4				