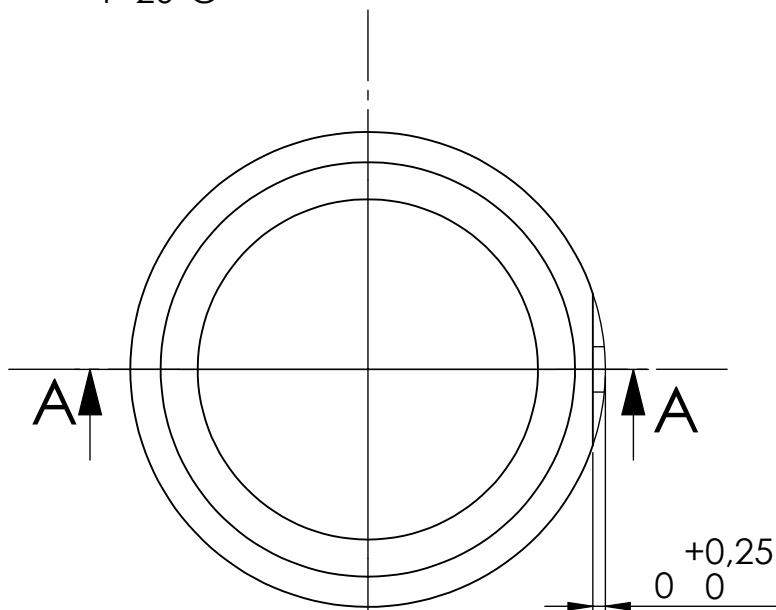
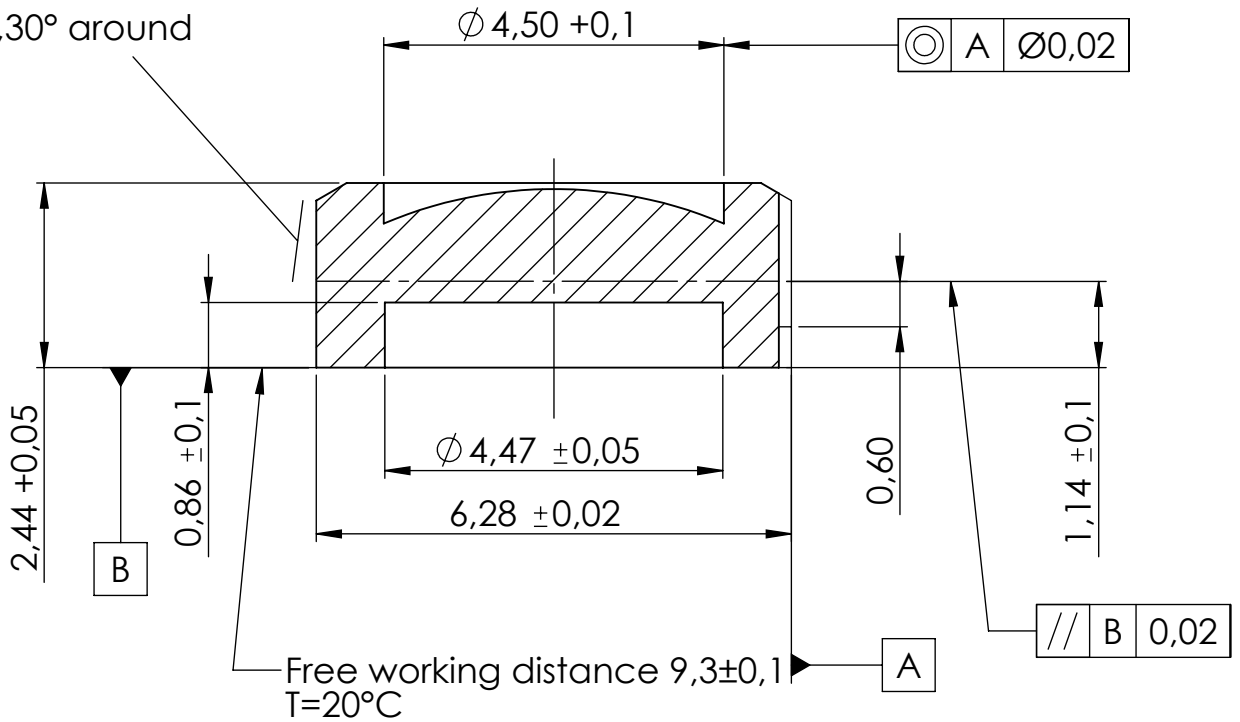
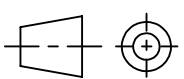



# SECTION A-A

1,30° around



**Testzone: Ø4,1 (2x)**  
**Focal length: 11,0mm**

|   |             |   |  |  |   |  |
|---|-------------|---|--|--|---|--|
| A   |             | one to one copy of former paperdrawing  |  | 18.10.16   | CKr   |  |
| Rev.  | Description |   |  | Date   | By  |  |
|  |             | Unless otherwise specified:<br>- dimensions are in millimeters<br>- all Dimensions ±0,1mm |  | © Viaoptic GmbH. All rights reserved.<br>Reproduction prohibited without permission<br>from the copyright owner. |   |  |
|  |             | Titel<br>Lens CAW 110   |  |  | VIAOPTIC GMBH<br>Am Leitz Park 1 // 35578 Wetzlar<br>06441/9011-0 |  |
| Date  |             | Name  |  | Material   |   |  |
| 18.10.2016  |             | Krznicaric  |  | COP  |   |  |
| Approval  |             | 20.10.2016  |  | Söhngen  |   |  |
| Weight  |             | Part Number   |  | Scale  |   |  |
| 1g  |             | 099-099-001-006   |  | 10:1   |   |  |
| Sheet   |             | 01  |  | Size   |   |  |
| 01  |             |   |  | A4   |   |  |