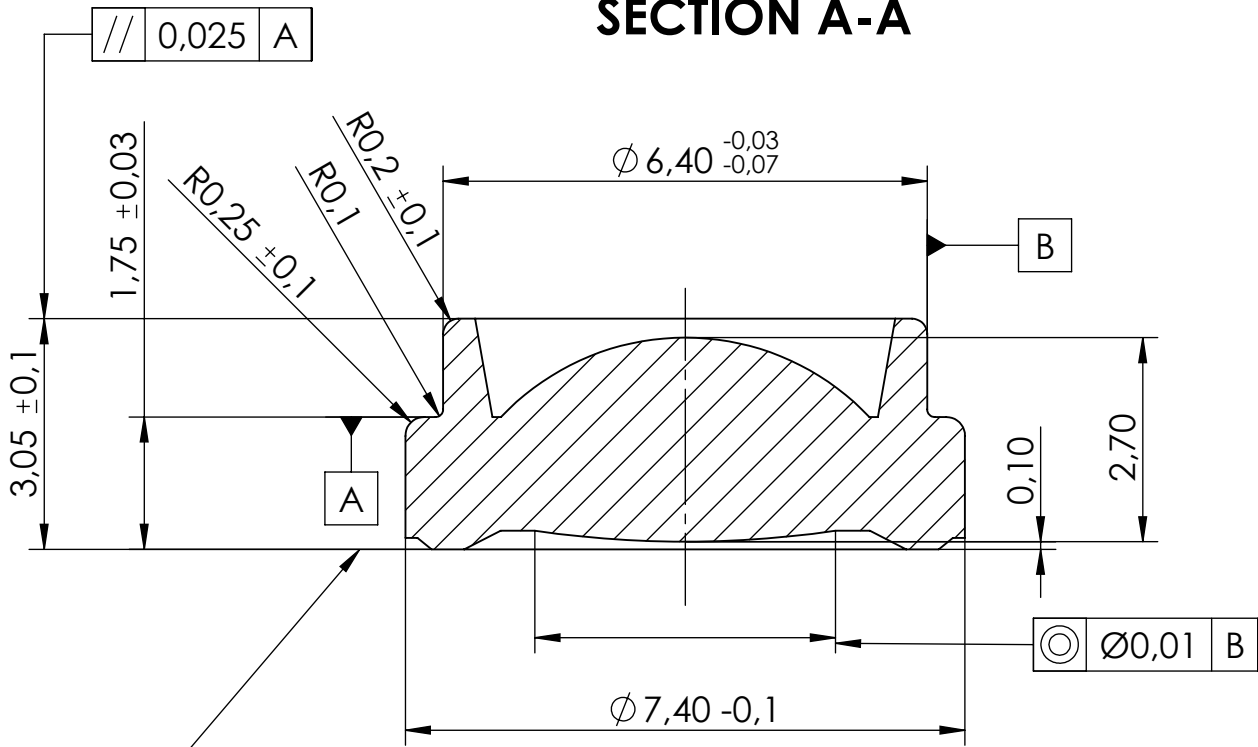
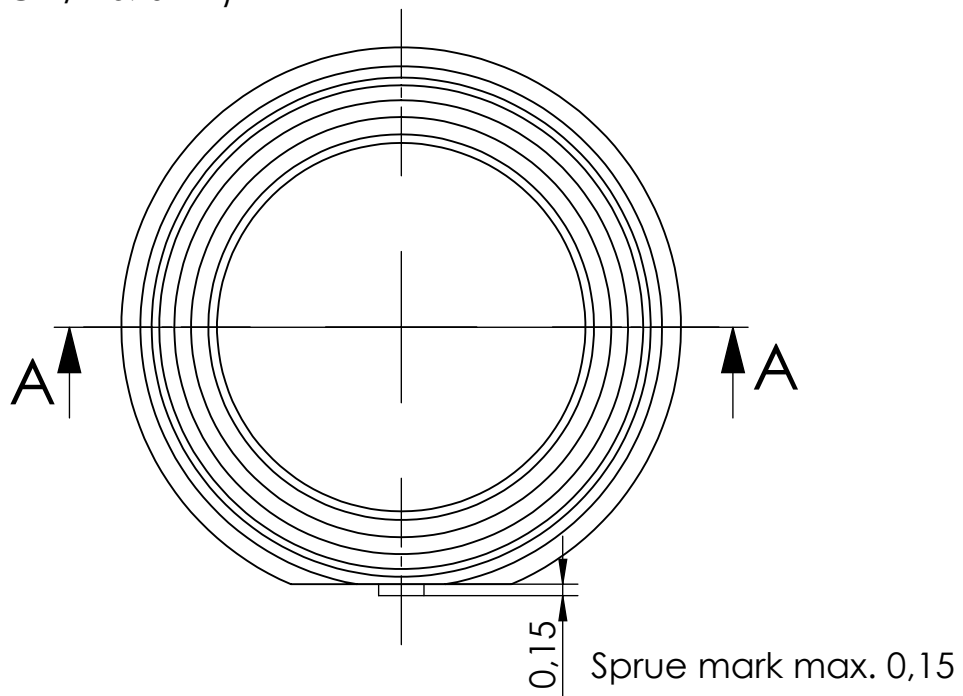


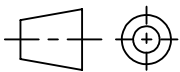
# SECTION A-A



Free working distance 2,99  
(T=20°C / 670nm)



B	Editorial change	30.03.23	Kriesch
A	copy of former paperdrawing	20.10.16	CKr
Rev.	Description	Date	By



Unless otherwise specified:  
- dimensions are in millimeters  
- all Dimensions ±0,1mm

© Viaoptic GmbH. All rights reserved.  
Reproduction prohibited without permission  
from the copyright owner.

VIAOPTIC GMBH  
Am Leitz Park 1 // 35578 Wetzlar  
06441/9011-0

		Titel			Scale
		Lens CAY 046			10:1
Date	Name	Material	Weight	Part Number	Size
Drawn	20.10.2016	Krznaric	PMMA	1g	A4
Approval	27.10.2016	Söhngen		099-099-001-010	Sheet
					01