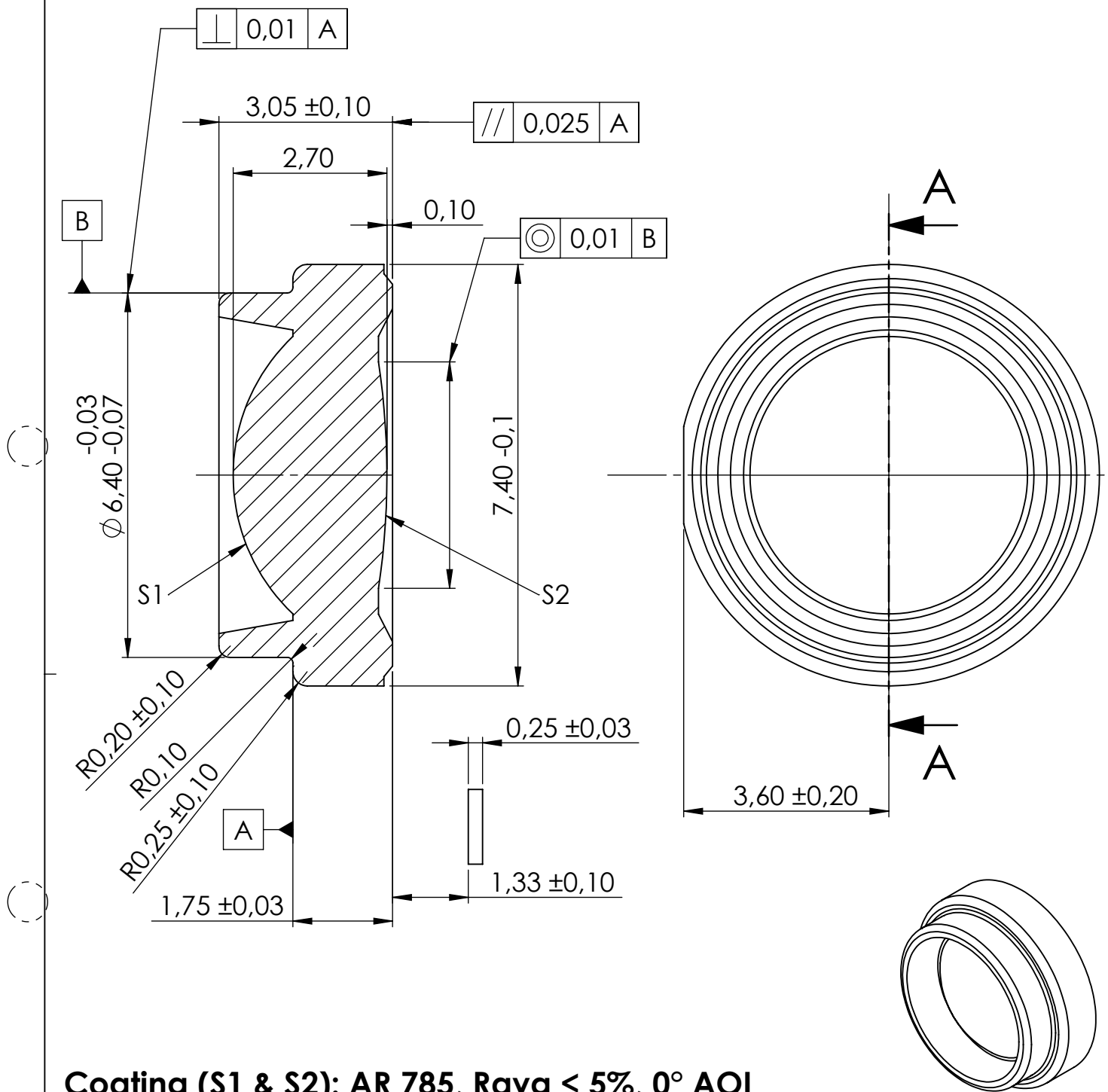
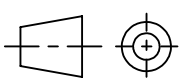



SCHNITT A-A



Coating (S1 & S2): AR 785, $R_{avg} < 5\%$, 0° AOI

A		one to one copy of former paperdrawing		08.05.17	CKr
Rev.	Description	Date	By		
		Unless otherwise specified: - dimensions are in millimeters - all Dimensions $\pm 0,1$ mm		© Viaoptic GmbH. All rights reserved. Reproduction prohibited without permission from the copyright owner.	
		Titel Lens CAY 033			Scale 10:1
Date	Name	Material	Weight	Part Number	Size
08.05.2017	Krznaric	PMMA	1g	099-099-001-001	A4
Approval	11.05.2017	kriesch			Sheet 01
				VIAOPTIC GMBH Am Leitz Park 1 // 35578 Wetzlar 06441/9011-0	