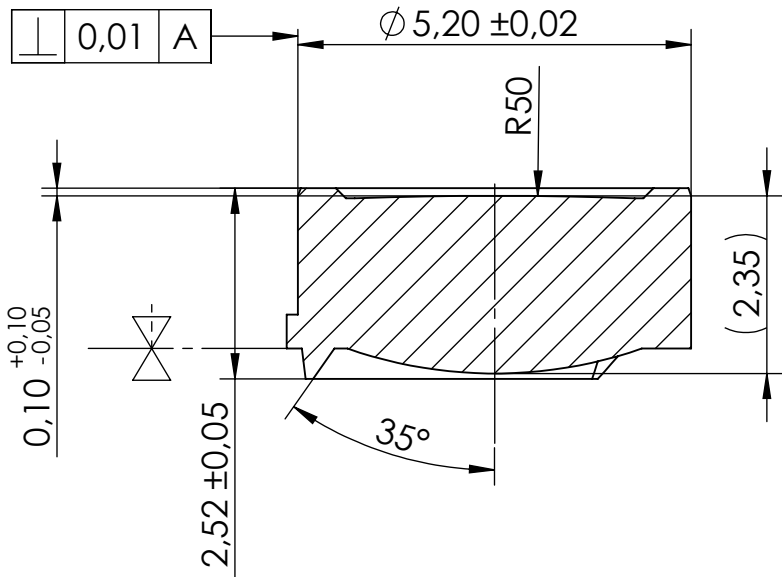
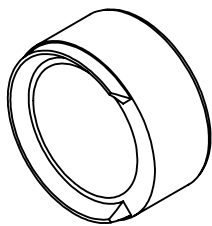


**SECTION A-A**

Isometric View  
Scale 5:1



Rev.	Description	Date	By
B	Editorial change	30.03.23	Kriesch
A	Copy of former paperdrawing	23.05.17	CKr

	Unless otherwise specified: - dimensions are in millimeters - all Dimensions ±0,1mm	© Viaoptic GmbH. All rights reserved. Reproduction prohibited without permission from the copyright owner.	VIAOPTIC GMBH Am Leitz Park 1 // 35578 Wetzlar 06441/9011-0
	Titel <b>Lens CAW100</b>		

		Titel <b>Lens CAW100</b>			Scale <b>10:1</b>
Date 23.05.2017	Name Krznicar	Material <b>COP</b>	Weight <b>0,05 g</b>	Part Number <b>099-099-001-009</b>	Size <b>A4</b>
Approval 24.05.2017	Willnauer				Sheet <b>01</b>