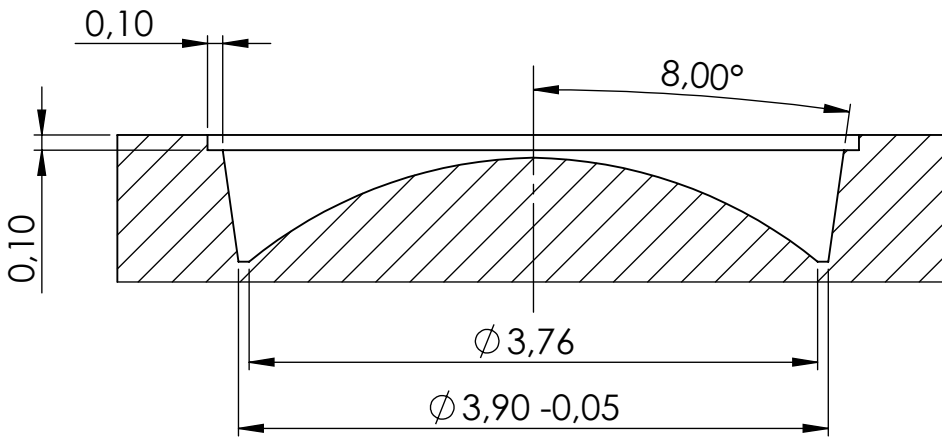
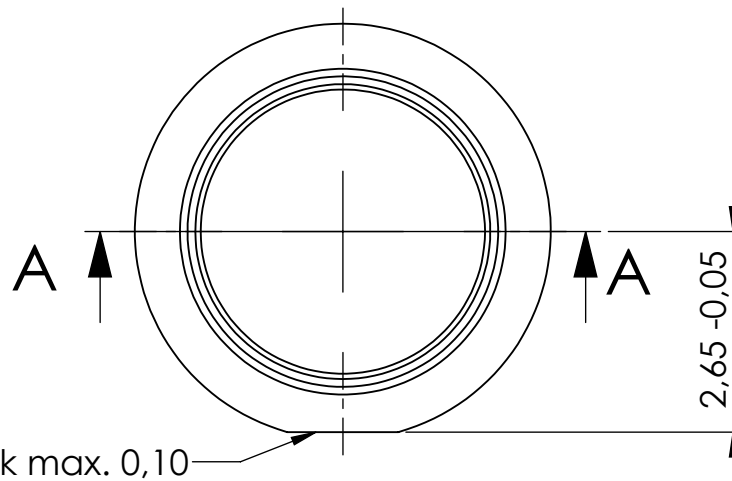
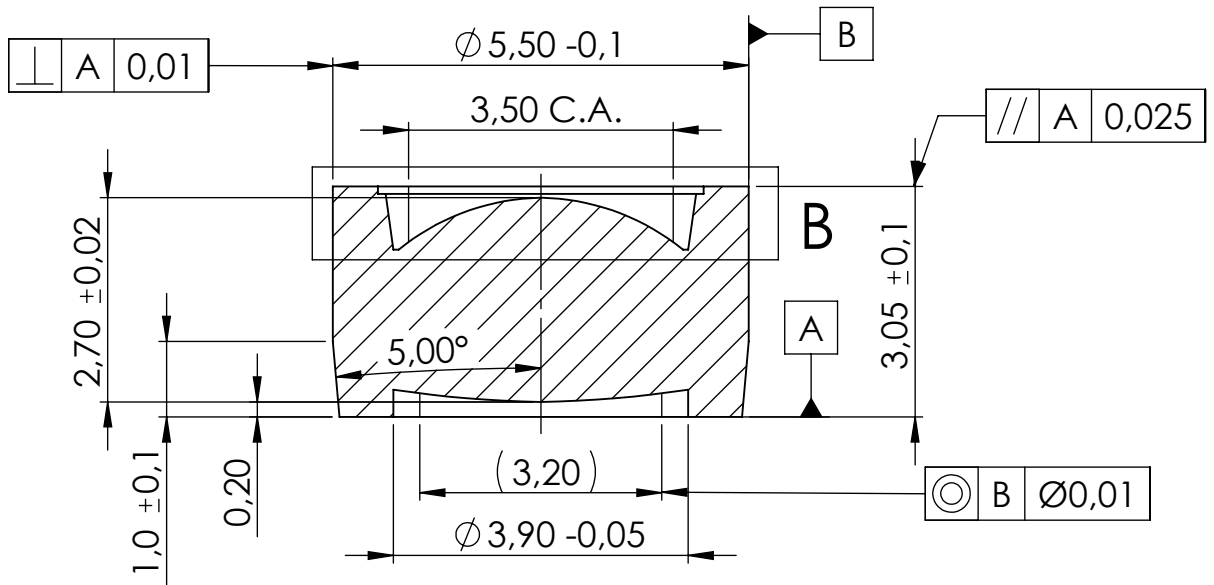


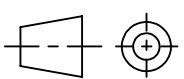

**DETAIL B**  
**SCALE 20 : 1**



**SECTION A-A**



Sprue mark max. 0,10

A		copy of former paperdrawing		19.10.16	CKr	
Rev.	Description			Date	By	
		Unless otherwise specified: - dimensions are in millimeters - all Dimensions $\pm 0,1$ mm		© Viaoptic GmbH. All rights reserved. Reproduction prohibited without permission from the copyright owner.		
		Titel Lens CAY046/55			VIAOPTIC GMBH Am Leitz Park 1 // 35578 Wetzlar 06441/9011-0	
Date		Name		Scale		
19.10.2016		Krznicaric		10:1		
Approval		Söhngen		Size		
20.10.2016		PMMA		A4		
Material		Weight		Part Number		
PMMA		1g		099-099-001-007		
Sheet		01				