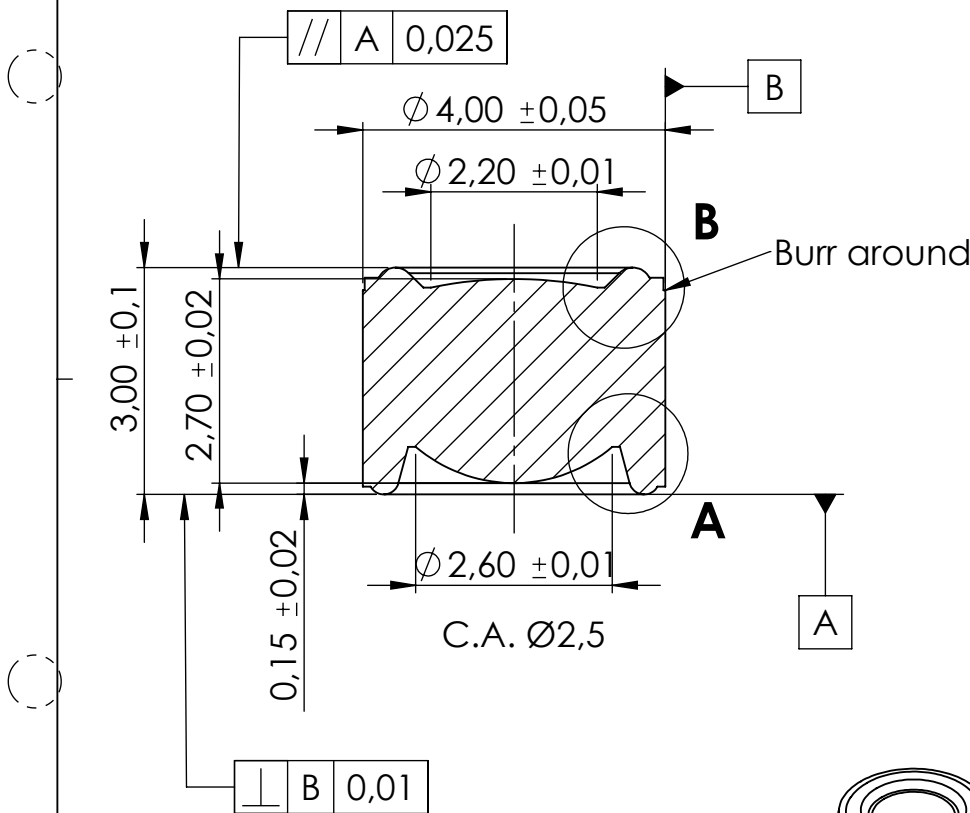
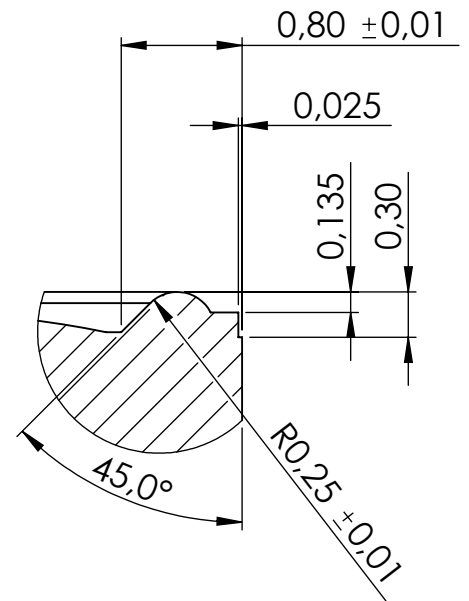
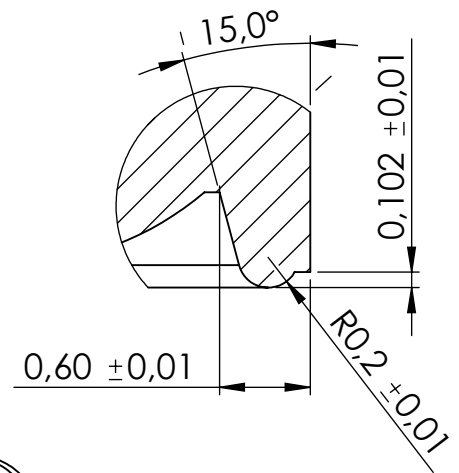


**SECTION A-A**

**DETAIL B  
SCALE 20 : 1**



**DETAIL A  
SCALE 20 : 1**



A		one to one copy of former paperdrawing		14.10.16	CKr	
Rev.	Description			Date	By	
		<b>Unless otherwise specified:</b> - dimensions are in millimeters - all Dimensions ±0,1mm		© Viaoptic GmbH. All rights reserved. Reproduction prohibited without permission from the copyright owner.		
		Titel Lens CAY033/040			VIAOPTIC GMBH Am Leitz Park 1 // 35578 Wetzlar 06441/9011-0	
Date		Name		Material		
14.10.2016		Krznicaric		PMMA		
Approval		16.10.2016		Söhngen		
Weight		Part Number		Scale		
1g		099-099-001-004		10:1		
Sheet		01		Size		
01		A4				